

3 " AIR CUT-OFF TOOL



Specifications

Free Speed.....	20,000rpm
Wheel.....	3inch(76.2mm)
Air Exhaust.....	Rear
Air Consumption.....	4.0cfm
Length.....	7.60inch(193mm)
Weight.....	1.50lbs(0.68kgs)
Air Pressure.....	90psi(6.2bar)
Air Inlet.....	1/4"

Warning ! "READ ALL INSTRUCTIONS" Always observe the safety regulations applicable in your country to reduce the risk of personal injury. Understand the following safety instructions before attempting to operate this product

SAVE THESE INSTRUCTIONS

Keep your work area clean and well lit. Cluttered benches and dark areas invite accidents.

Keep bystanders, children and visitors away while operating tool. Distractions can cause you to lose control.

Stay alert, watch what you are doing and use common sense when operating tool. Do not use tool while tired or under the influence of drugs, alcohol, or medication. A moment of inattention while operating tools may result in serious personal injury.

Dress properly. Do not wear loose clothing or jewelry. Contain long hair. Keep your hair, clothing and gloves away from moving parts. Loose clothes, jewelry, or long hair can be caught in moving parts.

Remove adjusting keys or switches before turning the tool on. A wrench or a key that is left attached to a rotating part of the tool may result in personal injury.

Do not overreach. Keep proper footing and balance at all times.

Proper footing and balance enables better control on the tool in unexpected situations.

Use safety equipment. Always wearing eye and ear protectors are recommended. Dust mask, non-skid safety shoes, hard hat, and/or hearing protection must be used for appropriate conditions.

Use Clamps or other practical ways to secure and support the workplace to a stable platform. Holding the work by hand or against your body is unstable and may lead to loss of control.

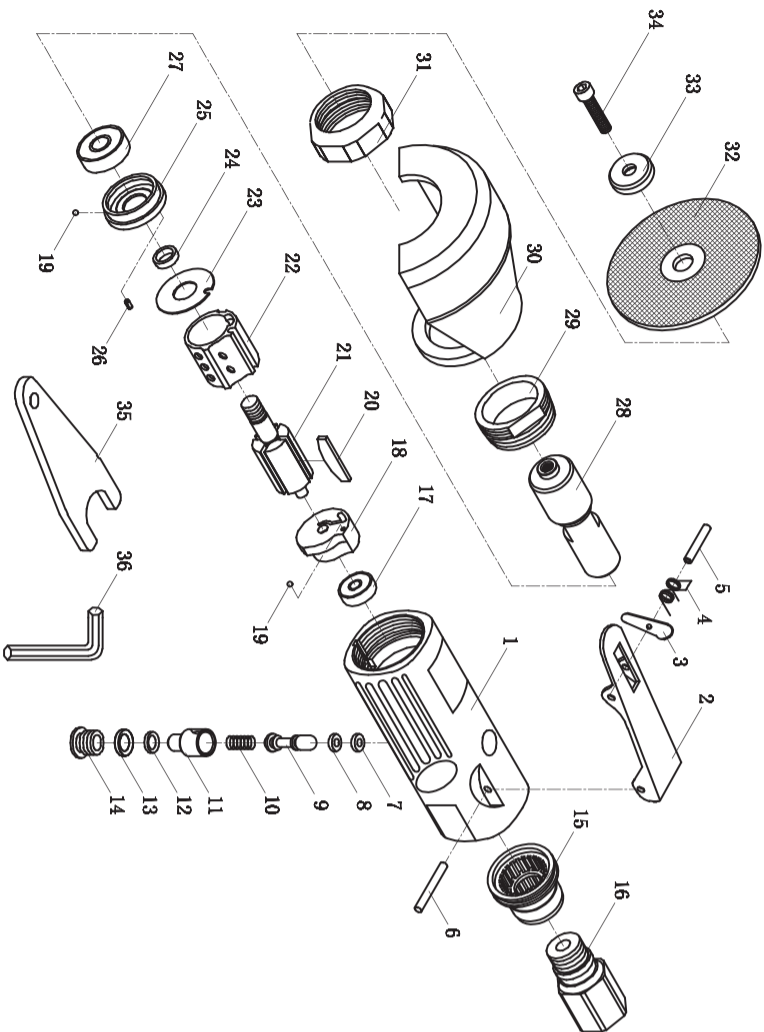
Do not force tools or overload. Use the correct tool for your application. The correct tool will do the job better and safer at the rate for which it is designed.

Store idle tools out of reach of children and other untrained persons. Tools are dangerous in the hands of untrained users.

Check for misalignment or binding of moving parts, breakage of parts, and any other condition that may affect the tool's operation. If damaged, have the tool serviced before using. Many accidents are caused by poorly maintained tools

No.	Part No.	Part Name	Qty
1	81301	HOUSING	1
2	81203	TRIGGER	1
3	81204	LEVER	1
4	81206	SPRING	1
5	813	PIN	1
6	813	PIN	1
7	81206	O-RING	1
8	81207	O-RING	1
9	81208	VALVE STEM	1
10	81209	SPRING	1
11	81210	AIR REGULATOR	1
12	81211	O-RING	1
13	81212	O-RING	1
14	81213	VALVE PLUG	1
15	81214	MUFFLE COVER	1
16	81215A	AIR INLET	1
17	81215B	AIR INLET	1
18	81216	BEARING	1
19	813	END PLATE	1
20	81217	PIN	2
21	81218	ROTOR	1
22	81219	ROTOR BLADE	4
23	81220	CYLINDER	1
24	81221	WASHER	1
25	81222	ROTOR CULAR	1
26	813	ROTOR PLATE	1
27	813	STABIL BALL	1
28	81307	BEARING	1
29	81224	WORK SPINDLE	1
30	81306A	RETAINER	1
31	81306B	GUARD	1
32	81302	NOT	1
33	81303	CUTTING WHEEL	1
34	81304	WASHER	1
35	813	SCREW	1
36	81305	WRENCH	1
36	813	KEY	1

AIR CUT-OFF TOOL

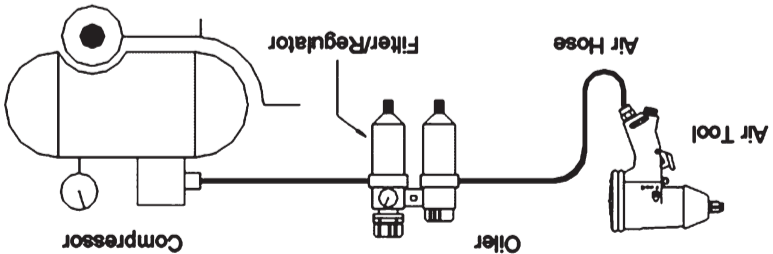


Use only accessories that are recommended by the manufacturer for your model. Accessories that may be suitable for one tool may become hazardous when used on another tool.

Tool service must be performed only by qualified repair personnel. Service or maintenance performed by unqualified personnel could result in a risk of injury.

When servicing a tool, use only identical replacement parts. Use of unauthorized parts or failure to follow maintenance instructions may create a risk of injury.

Wipe off excessive oil at the exhaust. Excessive oil will damage or ring and can "gum up" at the motor vanes.



NOTE

Your tool requires lubrication before every use. Disconnect the air supply from the tool before lubricating. Position the tool so that the inlet is facing up. Put in one to two drops of high speed spindle oil or 3-in-1 oil into the air inlet. Operate the tool briefly to circulate oil after adding.

NEVER use detergent oil or additives through the air inlet is not required on a daily basis.

If an in-line oiler (above diagram) is used, manual lubrication through the air inlet is not required on a daily basis.

TROUBLE SHOOTING

Most air tool problems occur because humid and/or dirty air gets into the line. Be sure to use an air filter to get rid of the moisture and minute particles

Oil, either too much or too little, is another problem area. Make sure the tool is oiled either manually through the air inlet, or automatically with the in-line oiler as depicted in the above diagram.